

# HAZARDOUS LOCATION LED LUMINAIRE EX-A Spec Sheet



## EX-A Spec Sheet

The A Series LED luminaire is the ideal choice for marine and hazardous applications. They can be used in locations where moisture, dirt, dust, corrosion and vibration may be present, or areas where wind, water, snow or high ambient can be expected.

## Compliance

- UL 844 Hazardous Locations Class Class I Division 2, Group A, B, C, D
- UL 1598 Wet Locations
- UL 1598A Marine Type
- ABS
- Vibration 3G
- NEMA4X
- IP66
- IK10 (with wire guard)

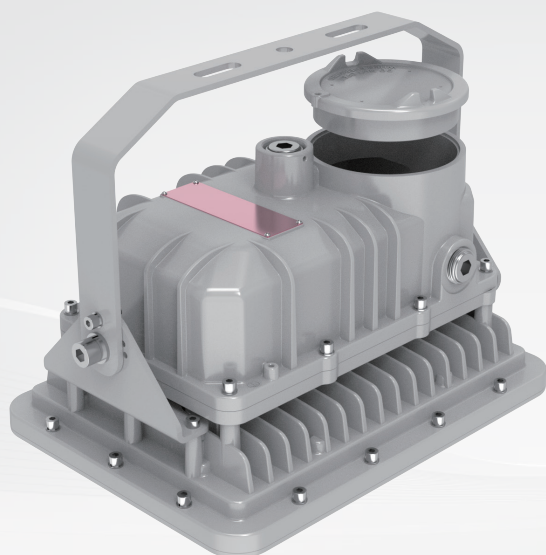
## Application

- Oil and gas industry
- Metal treatment industry
- Chemical processing facility
- Power Plants
- Ocean, marine location
- Heavy industrials storage facility
- Wastewater Treatment Plants
- Food and Alcohol Industry

# HAZARDOUS LOCATION LED LUMINAIRE EX-A Spec Sheet



## Benefits & Features



- The round cover opens easily for convenient wiring (Diameter of Round Cover: A/A3/A4 - 100mm, A2 - 75mm)
- 1-10V dimming optional
- High luminous efficacy - Up to 175 lumens per watt
- Compact and robust structure, excellent reliability
- Various installation ways for different applications
- Great impact resistance with IK08/IK10 certified
- Die-cast aluminum housing, great corrosion resistance and cooling performance

## Key Features and Information

### • Electrical

Model	Ex-xxxW A2	Ex-xxxW A	Ex-xxxW A3	Ex-xxxW A4
Selectable Power	40W/60W/80W	80W/100W/150W	120W/150W/200W	200W/250W/300W
NO-Selectable Power	/			350W/400W/500W/550W
Power Model	A2: FD-100T-054D for 120-347VAC; VA-100V-054B for 277-480VAC A: SS-150VA-56BHL for 120-277VAC; VA-150V-054B for 277-480VAC A3: SS-240VA-56BHL for 120-277VAC; VA-240V-056B for 277-480VAC A4: ELGC-300-H-AB/ SS-500VP/SS-600VP-56BH for 120-277VAC; HVG-480-48AB/HVG-650-48AB for 277-480VAC;			
Input Voltage	120-277/VAC or 277-480VAC			
Input Frequency	50/60Hz			
Power Factor @120V	> 0.95			
Optional Emergency Function	Min. 90 mins (Contact sales for EM options)			
Service Life	Up to 50,000 hours			
Salt Spray	500Hours			
Dimming	Driver includes dimming control wiring for 1-10V dimming systems. Requires separate 1-10V DC dimming circuit.			



# HAZARDOUS LOCATION LED LUMINAIRE EX-A Spec Sheet



## • Optical

Model	EX-xxxW A2	EX-xxxW A	EX-xxxW A3	EX-xxxW A4
Selectable Power	40W/60W/80W	80W/100W/150W	120W/150W/200W	200W/250W/300W
Lumens Per Watt	160lm/W	170lm/W	175lm/W	175lm/W
Lumen Output	6400-12800lm	17000-25500lm	21000-35000lm	35000-52500lm
Selectable CCT	4000K/5000K/6500K			
CRI	80			
Beam Angle	120°			
LED	Long-life, high-efficacy, discrete, surface-mount 2835 LEDs 100,000-Hour LED lifespan based on IES LM-80 results and TM-21			



(Note: Refer to the table of testing data on page 4-6.)

## • Mechanical

Model	EX-xxxW A/A2/A3/A4
Housing Material	Die-cast Aluminum
Lens Material	Clear Flat Glass
Gasket Material	Silicone Rubber
Hardware	Stainless steel 304
Protection Rating	Ingress protection: IP66 Impact protection: IK08; IK10 (with wire guard)
Mounting Options	Ceiling Mount (Included), Wall Mount (Included), Pendant Mount (Purchase separately)
Cable Entries	3/4" NPT, 1/2" NPT
Warranty	5-year limited warranty for fixture

## • Ambient Temperature

Model	Input Voltage	Power Model	Temperature Class
A2	120-347VAC	FD-100T-054D	T4A: -40°C to +55°C (CIDII); T6: -40°C to +45°C (CIIDI/CIIDII/CIIII)
	277-480VAC	VA-100V-054B	
A	120-277VAC	SS-150VA-56BHL	T4A: -40°C to +50°C (CIDII); T5: -40°C to +40°C (CIIDI/CIIDII/CIIII)
	277-480VAC	VA-150V-054B	
A3	120-277VAC	SS-240VA-56BHL	T4A: -40°C to +50°C (CIDII); T5: -40°C to +45°C (CIIDI/CIIDII/CIIII)
	277-480VAC	VA-240V-056B	

# HAZARDOUS LOCATION LED LUMINAIRE EX-A Spec Sheet



Model	Input Voltage	Power Model	Temperature Class
A4 300W	120-277VAC	ELGC-300-H-AB	T5: -40 °C to +50 °C (CIDII) ; T5: -40 °C to +50 °C (CIIDI/CIIDII/CIII)
	277-480VAC	HVG-480-48AB	
A4 350W	120-277VAC	SS-500VP(Single Power)	T5: -40 °C to +55 °C (CIDII)
	277-480VAC	HVG-480-48AB (Single Power)	
A4 400W	120-277VAC	SS-600VP-56BH (Single Power)	T4A: -40 °C to +55 °C (CIDII)
	277-480VAC	HVG-650-48AB (Single Power)	
A4 500W	120-277VAC	SS-600VP-56BH (Single Power)	T4A: -40 °C to +50 °C (CIDII)
	277-480VAC	HVG-650-48AB (Single Power)	T4: -40 °C to +50 °C (CIDII)
A4 550W	120-277VAC	SS-600VP-56BH (Single Power)	T4A: -40 °C to +40 °C (CIDII)
	277-480VAC	HVG-650-48AB (Single Power)	T4: -40 °C to +40 °C (CIDII)

• **Electrical specification (actual measurement)**

Model	EX-80WA2D50D120MT10T								
Test Power	80W			60W			40W		
Test CCT (K)	6500	5000	4000	6500	5000	4000	6500	5000	4000
Lumens Per Watt (lm/W)	150.85	157.81	149.61	152.77	158.4	152.88	154.27	158.01	154.14
Lumen Output (l/m)	11808	11980	11596	8831.7	9006.6	8974.8	6064	6152	6103
Beam Angle	108.6	108.4	108.3	108.5	108.4	108.2	108.6	108.4	108.3
CCT (K)	6378	5043	4044	6354	5040	4038	6324	5037	4031
CRI	74.3	74.6	73.9	74.3	74.6	73.9	74.3	74.6	73.9
Power Factor	0.9967	0.9966	0.9967	0.9951	0.9949	0.9951	0.9909	0.9906	0.9905
Test Voltage	120VAC								
Test Power Model	FD-100T-054D								

# HAZARDOUS LOCATION LED LUMINAIRE EX-A Spec Sheet



Model	EX-150WAD50D120V15T								
Test Power	150W			100W			80W		
Test CCT (K)	6500	5000	4000	6500	5000	4000	6500	5000	4000
Lumens Per Watt (lm/W)	169.44	176.01	167.52	174.57	178.86	171.92	176.43	179.17	173.12
Lumen Output (lm)	25606	25919	25500	18107	18132	17868	14744	14634	14454
Beam Angle	110.5	110.2	109.8	110.6	110.2	109.7	110.6	110.2	109.7
CCT (K)	6060	4954	4092	6040	4942	4082	6009	4940	4080
CRI	73.3	74	73.5	73.4	73.9	73.5	73.3	73.9	73.5
Power Factor	0.9977	0.9977	0.9977	0.9956	0.9954	0.9957	0.9924	0.9923	0.9924
Test Voltage	120VAC								
Test Power Model	SS-150VA-56BHL								

Model	EX-200WA3D50D120V24T								
Test Power	200W			150W			120W		
Test CCT (K)	6500	5000	4000	6500	5000	4000	6500	5000	4000
Lumens Per Watt (lm/W)	165.04	172.88	166.7	168.75	175.19	170.12	171.13	176.14	171.81
Lumen Output (lm)	33402	34107	33893	25706	26039	25850	21066	21228	21134
Beam Angle	108.3	108.3	108.2	108.3	108.4	108.2	108.4	108.5	108.3
CCT (K)	6216	4945	4080	6199	4935	4071	6168	4927	4065
CRI	73.6	74.4	73.9	73.6	74.2	73.8	73.4	74.1	73.8
Power Factor	0.9974	0.9974	0.9973	0.9971	0.9970	0.9971	0.9957	0.9956	0.9957
Test Voltage	120VAC								
Test Power Model	SS-200VA-56BHL								

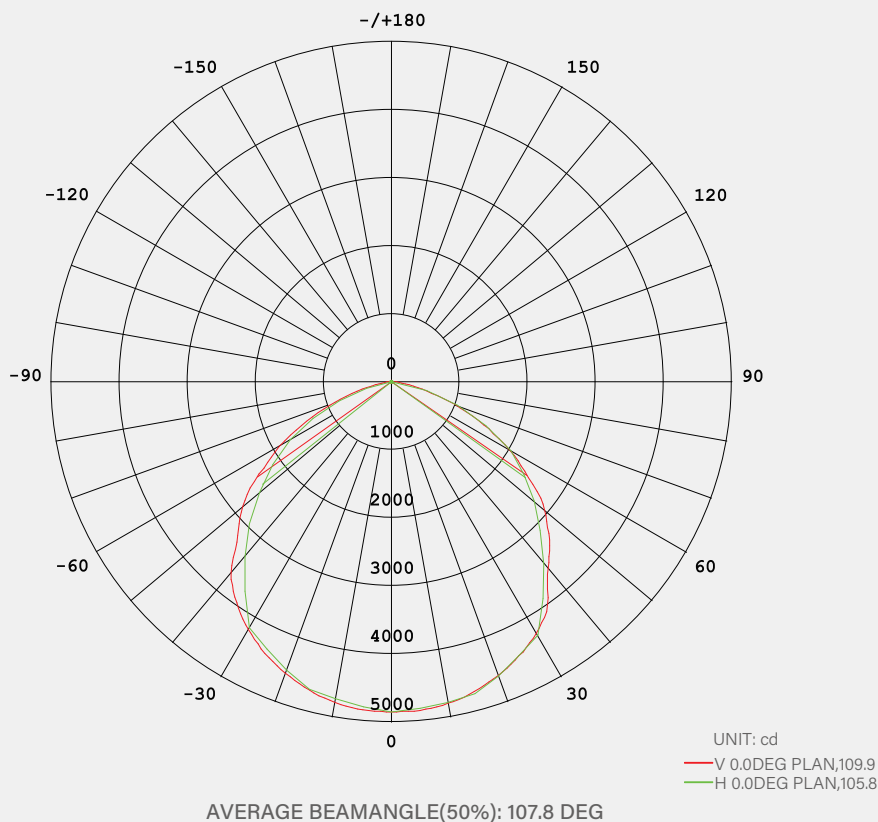
# HAZARDOUS LOCATION LED LUMINAIRE EX-A Spec Sheet



Model	EX-300WA4D50D120G30T								
Test Power	300W			250W			200W		
Test CCT (K)	6500	5000	4000	6500	5000	4000	6500	5000	4000
Lumens Per Watt (lm/W)	177.56	183.72	177.81	179.57	185.84	181.3	182.89	188.05	183.37
Lumen Output (lm)	54104	54772	54407	45255	45942	46062	36847	37198	36954
Beam Angle	110.8	110.6	109.2	110.8	110.5	110.2	110.8	110.6	110.8
CCT (K)	6189	4959	4026	6180	4954	4021	6148	4949	4017
CRI	73.4	74.1	73.6	73.6	74.1	73.4	73.2	74	73.6
Power Factor	0.9979	0.9979	0.9981	0.9971	0.9969	0.9973	0.9963	0.9957	0.9961
Test Voltage	120VAC								
Test Power Model	ELGC-300-H-AB								

## Photometric

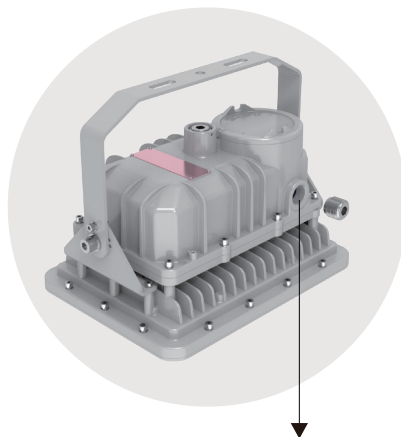
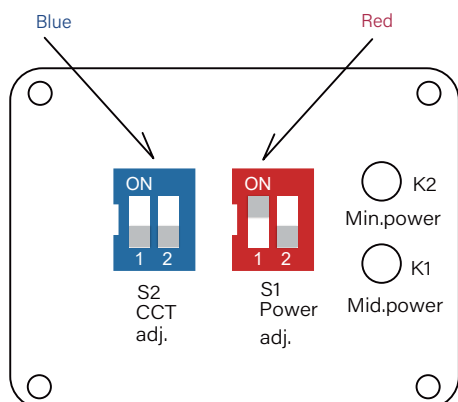
- 120 Degree



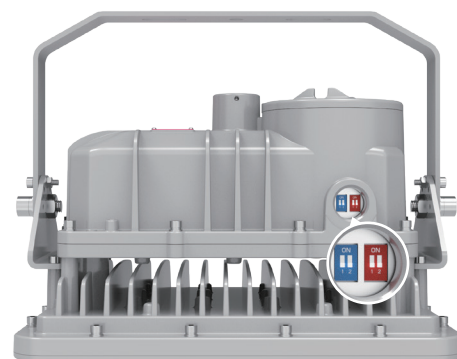
# HAZARDOUS LOCATION LED LUMINAIRE EX-A Spec Sheet



## Power and CCT Selectable



Power and CCT Selectable



DIP switch

## Operating Instructions

### • S1 DIP switch - Red (S1 Power adj.)

The luminaire incorporates a dual-dial power configuration switch enabling three selectable output ratings. Factory default settings and power levels can be customized based on project requirements.

### • S2 DIP switch - Blue (S2 CCT adj.)

The luminaire incorporates a dual-dial power configuration switch enabling three preset color temperature options. The factory default setting can be customized according to order requirements.

1. Maximum Output (100% nominal power)  
Switch configuration: Dial 1 = OFF, Dial 2 = OFF;



A: 150W

2. Medium Output (70%-90% of nominal power, depending on specification) Switch configuration: Dial 1 = ON, Dial 2 = OFF



A: 100W

3. Minimum Output (50%-70% of nominal power, depending on specification) Switch configuration: Dial 1 = OFF, Dial 2 = ON



A: 80W

1. Cool white, e.g. 6500K  
Switch configuration: Dial 1 = OFF, Dial 2 = OFF



6500K

2. Neutral white, e.g. 5000K  
Switch configuration: Dial 1 = ON, Dial 2 = OFF



5000K

3. Warm white, e.g. 4000K  
Switch configuration: Dial 1 = ON, Dial 2 = ON



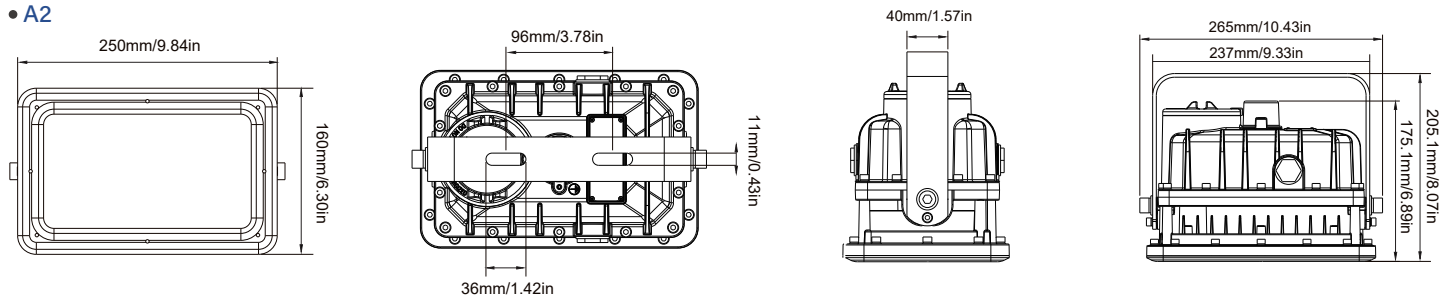
4000K

# HAZARDOUS LOCATION LED LUMINAIRE EX-A Spec Sheet

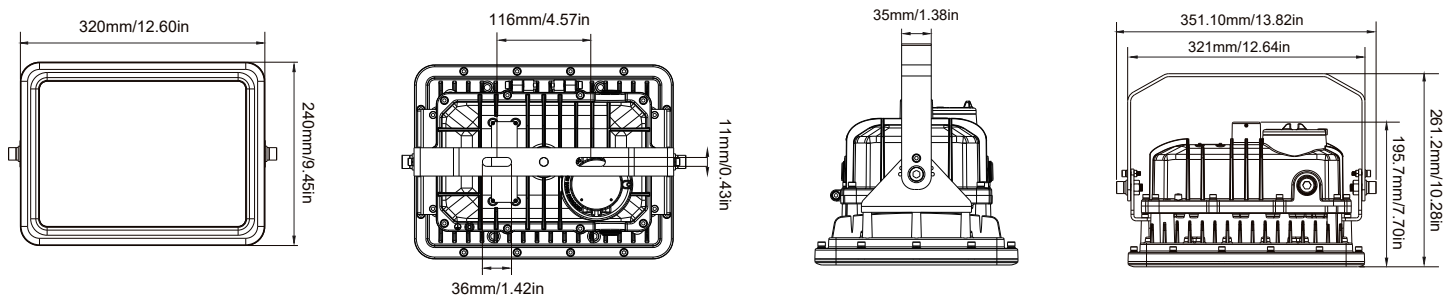


Product Dimensions Unit: mm[inch]

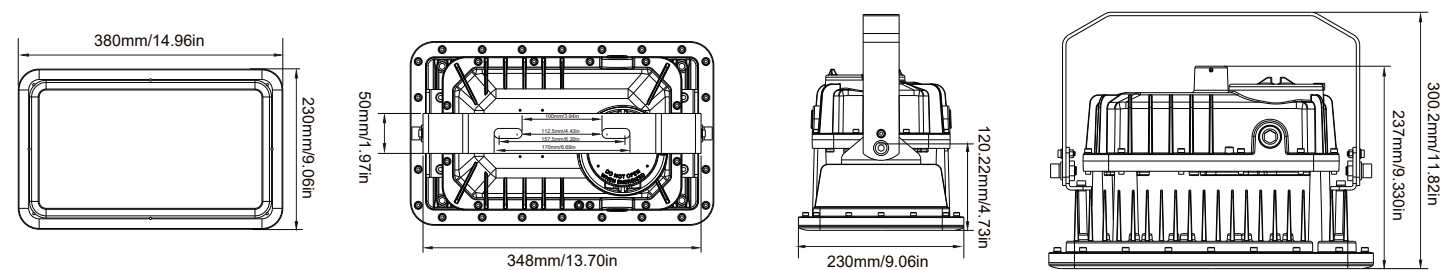
• A2



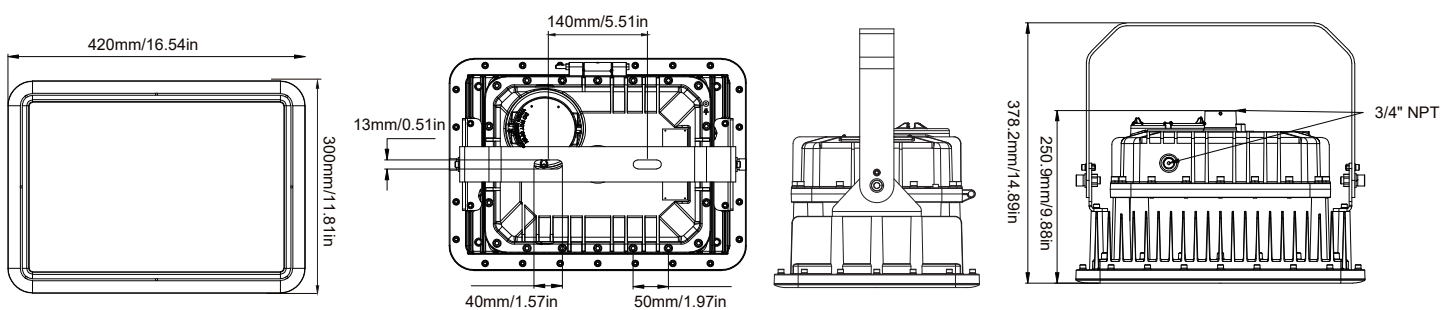
• A



• A3



• A4



# HAZARDOUS LOCATION LED LUMINAIRE EX-A Spec Sheet

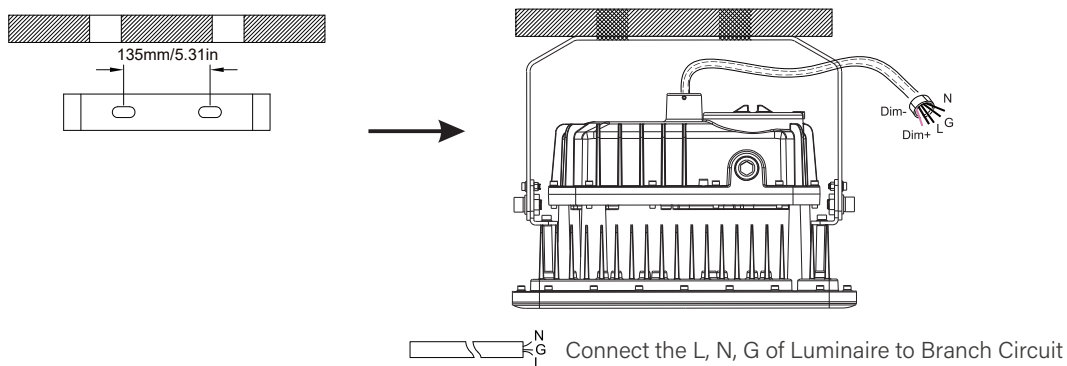


## Packing Information

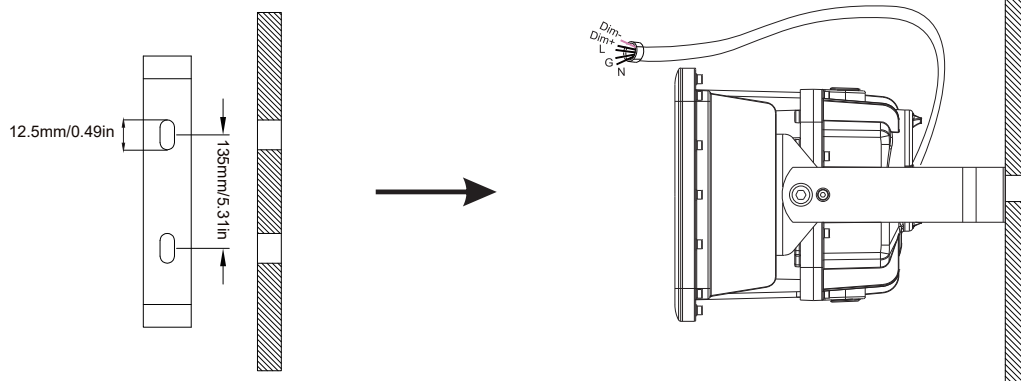
Model	Package Dimensions	Net Weight	Gross Weight	Quantity/Carton
A2	365x270x305mm/14.37x10.63x12.01 inch	4.15 kg/9.15 lb	5.30 kg/11.68 lb	1 pc
A	430x320x350 mm/ 16.93x12.60x13.78 inch	8.2 kg/10.08 lb	9 kg/19.84 lb	1 pc
A3	460x362x295mm/18.11x14.25x11.61 inch	10.5 kg/23.15 lb	11.5 kg/25.35 lb	1 pc
A4	497x465x350mm/19.57x18.31x13.78 inch	15.1 kg/33.29 lb	18.55 kg/40.90 lb	1 pc

## Mounting Methods

### Option 1: Ceiling Mounting (Included)



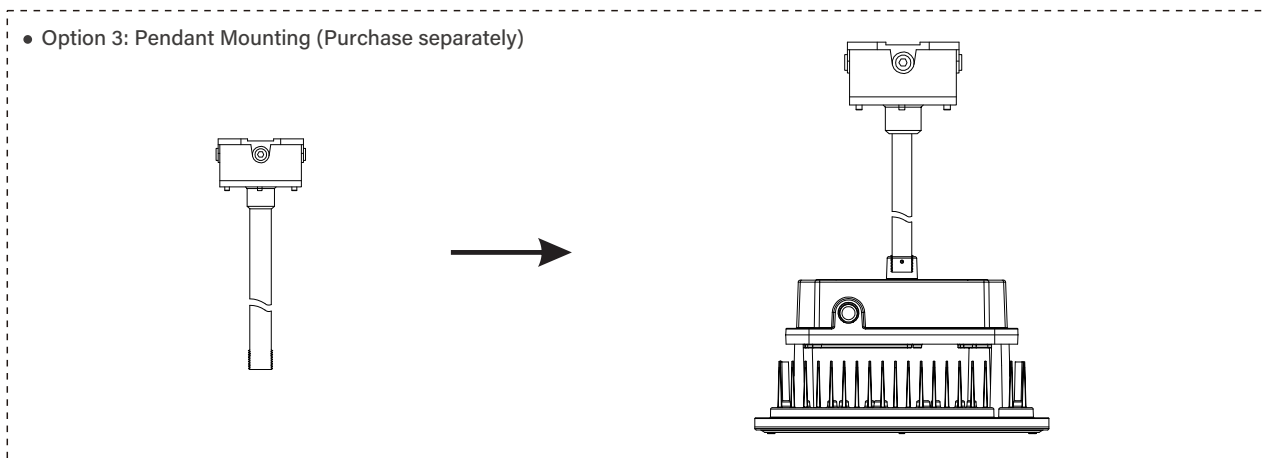
### Option 2: Wall Mounting (Included)



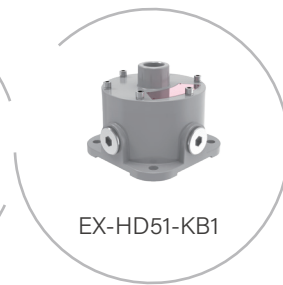
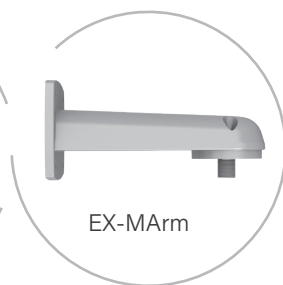
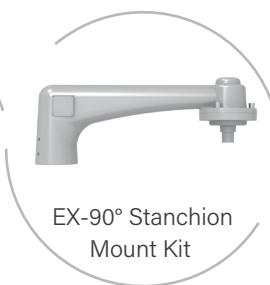
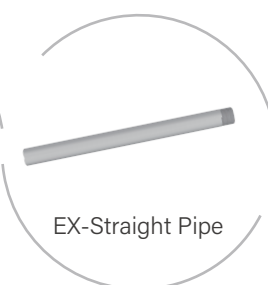
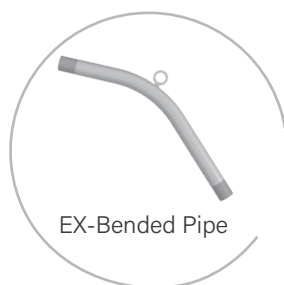
# HAZARDOUS LOCATION LED LUMINAIRE EX-A Spec Sheet



• Option 3: Pendant Mounting (Purchase separately)



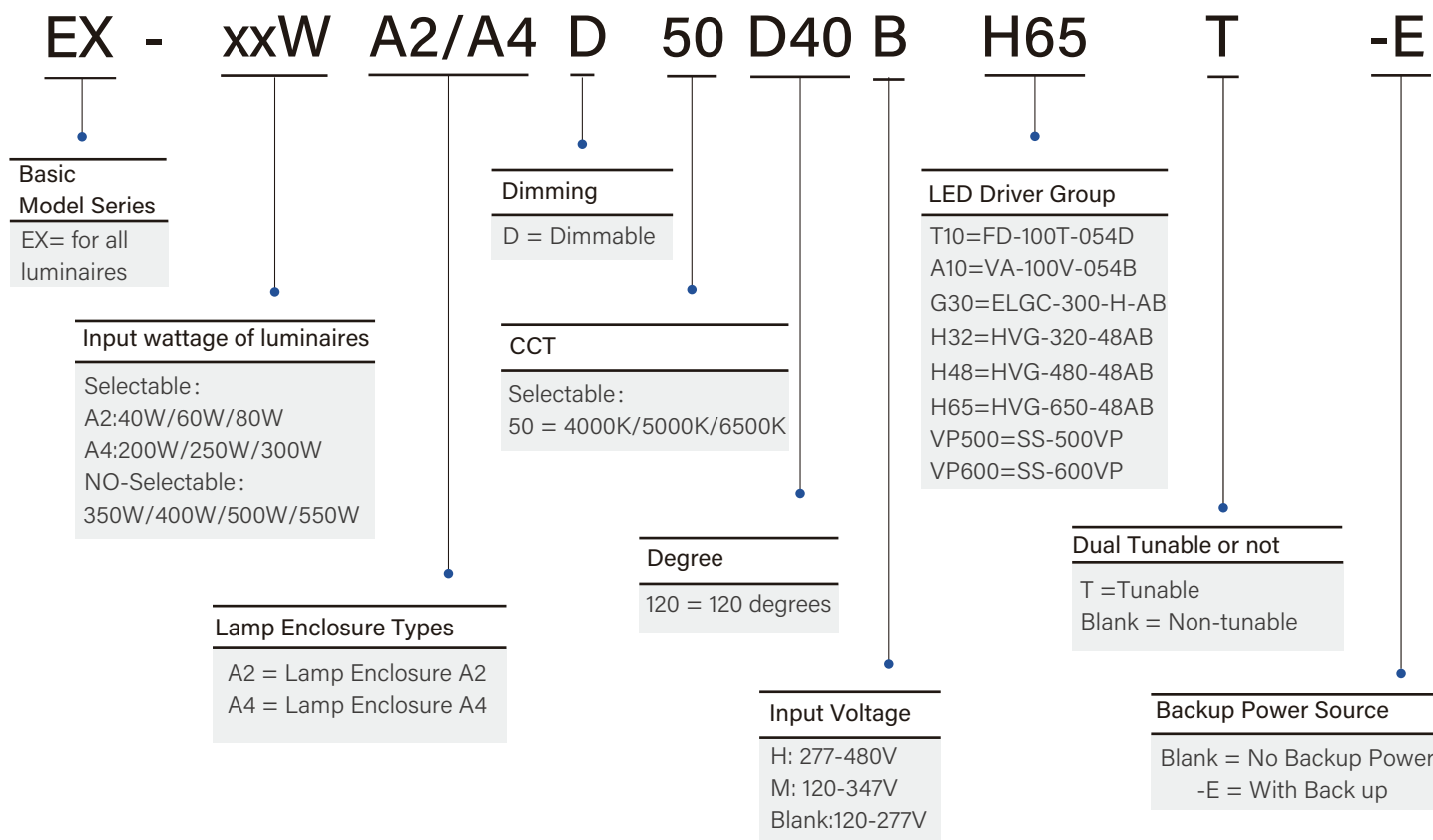
## Accessories



# HAZARDOUS LOCATION LED LUMINAIRE EX-A Spec Sheet



## Ordering Guide (A2/A4)



# HAZARDOUS LOCATION LED LUMINAIRE EX-A Spec Sheet



## Ordering Guide (A/A3)

