

HIGH BAY LIGHT L Series



Pan American
Professional Lighting Manufacturer

FEATURES AND SPECIFICATIONS

Construction

- Die-cast ADC12 housing
- Powder coating in RAL 9006 White aluminium
- Protection: IP66/IK09

Electrical

- AC120-277V input voltage
- Dimming: 0-10V/PWM/DALI-2
- Wattage and CCT selectable
- UGR19

Installation

- Ring installation
- Bracket installation

Applications

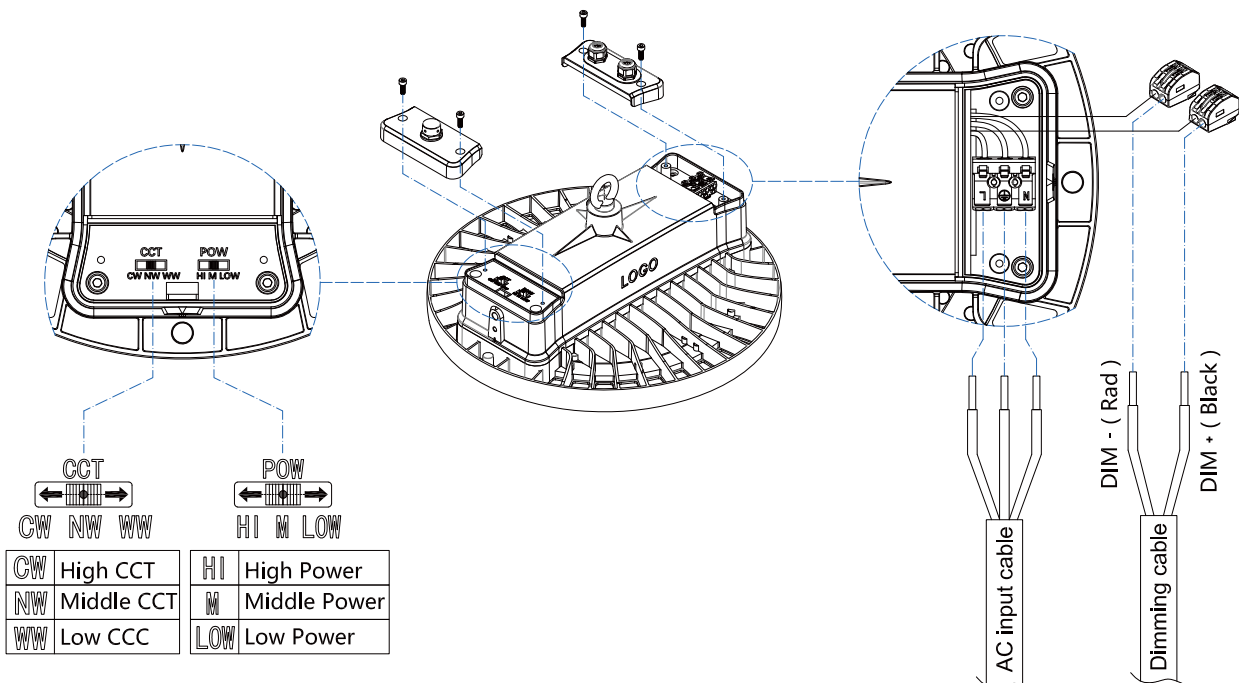
- Warehouses, Workshops, Gymnasiums, Garage, Factory, Shopping Mall, Indoor Court

Warranty

- 5 Years Warranty
- L70B50:100000h@25°C



Wattage and CCT Selectable



TECHNICAL DATA

Electrical

Model NO.	UFO -L1				UFO -L2	
Wattage	50W	80W	100W	150W	200W	240W
Input Voltage	120-277VAC					
Power Factor	0.95					
Surge Protection	6kV (Optional: 10kV)					
Driver	Inventronics/Sosen/Moso					
Intelligent Control	0-10V/PWM/DALI-2					

Optical

LED Chip	SMD2835/SMD3030
Luminous Efficacy	160lm/W@CRI70/5000K (Optional: 170lm/W)
CCT	2700-6500K
CRI	RA70 (Optional: RA80)
Beam Angle	60°/90°/120°
UGR	UGR19@60°/90°
Wattage Selectable/ CCT Selectable	Fixed Wattage+Fixed CCT/Wattage Selectable+Fixed CCT/Wattage Selectable+CCT Selectable
Sensor	Zhaga standard interface

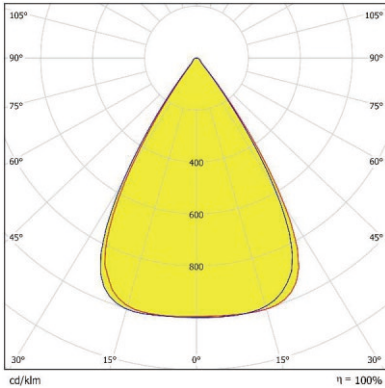
Mechanical

Installation	Ring/Bracket
Housing Material	Die-cast ADC12 Aluminum
Product Dimension	UFO -L1: Ø340x157mm UFO -L2: Ø370x157mm
Color	RAL 9006 White aluminium
IK Rating	IK09
IP Rating	IP66
Output Wiring	Comes standard with 30cm output leads. (internal wiring optional, input cable not included)

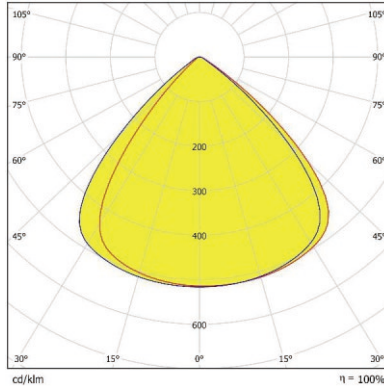
Certification

Certification	CB/CE/ENEC/ROHS
Warranty	5 Years
Working Temperature	-40°C to +50°C
Lifespan	L70B50: 100000h@25°C

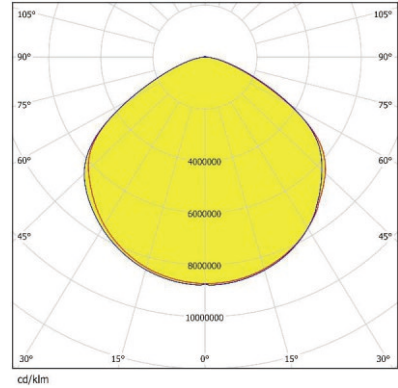
Photometric



60 Degrees

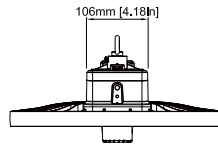
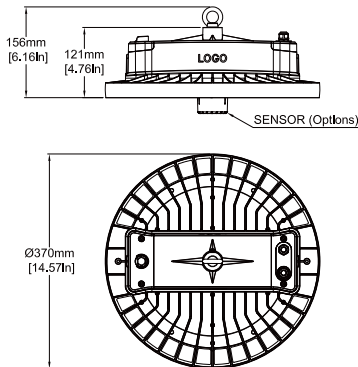


90 Degrees

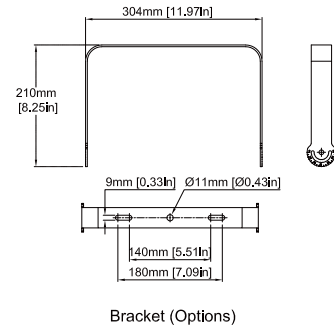


120 Degrees

Product Dimension

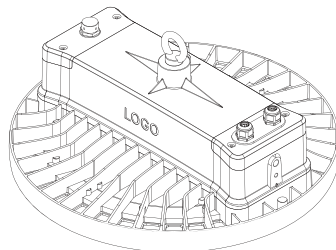


Model	D (± 3mm)
UFO-L1	Ø340mm[Ø13.39in]
UFO-L2	Ø370mm[Ø14.57in]

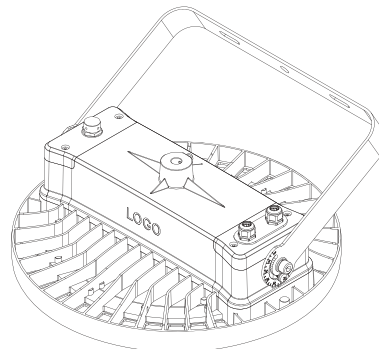


Bracket (Options)

Installation



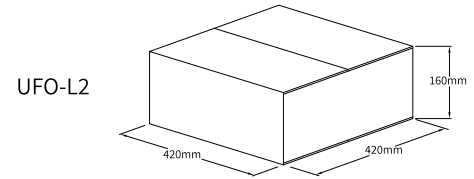
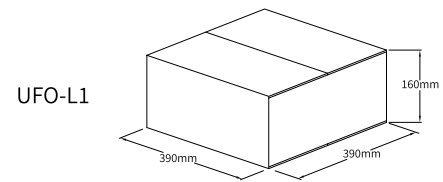
Ring Installation



Bracket Installation

Package Information

Model	Net Weight	Gross Weight	Package Size
UFO-L1	3.4kg/7.50lb	4.0kg/8.89lb	L390xW390xH160mm/ L15.35xW15.35xH6.30inch
UFO-L2	3.8kg/8.38lb	4.5kg/9.92lb	L420xW420xH160mm/ L16.54xW16.54xH6.30inch



Ordering Information

U-Ln	xxx W	CC-CC	D	YYY	A	Z	VVV
Product Series	Wattage	CCT	Dimming Option	Beam Angle			Voltage
U-L1 U-L2	xxx=050 : 50W xxx=080 : 80W xxx=100 : 100W xxx=150 : 150W xxx=200 : 200W xxx=240 : 240W	CC-CC=27-27: 2700K CC-CC=40-40: 4000K ... CC-CC=65-65: 6500K CC-CC=30-50: 3000K/4000K/5000K CC-CC=40-65: 4000K/5000K/6500K ...	D=D: 0-10V D=N: Non-dimmable	YYY=060: 60° YYY=090: 90° YYY=120: 120°	A=A: Adjustable power A=N: Power is not adjustable. powe	Z=Z: With Zhaga interface. Z=N: Without sensor interface.	AAA=240: AC200-240V AAA=277: AC120-277V
Example: U-L2240W40-65D90AZ240							
U-L2	200 W	40-65	D	90	A	Z	240
UFO-L2	200 W	Adjustable CCT: 4000K/5000K/6500K	0-10V Dimmable	Beam angle: 90°	Adjustable power	With Zhaga interface	Voltage:AC200-240V

